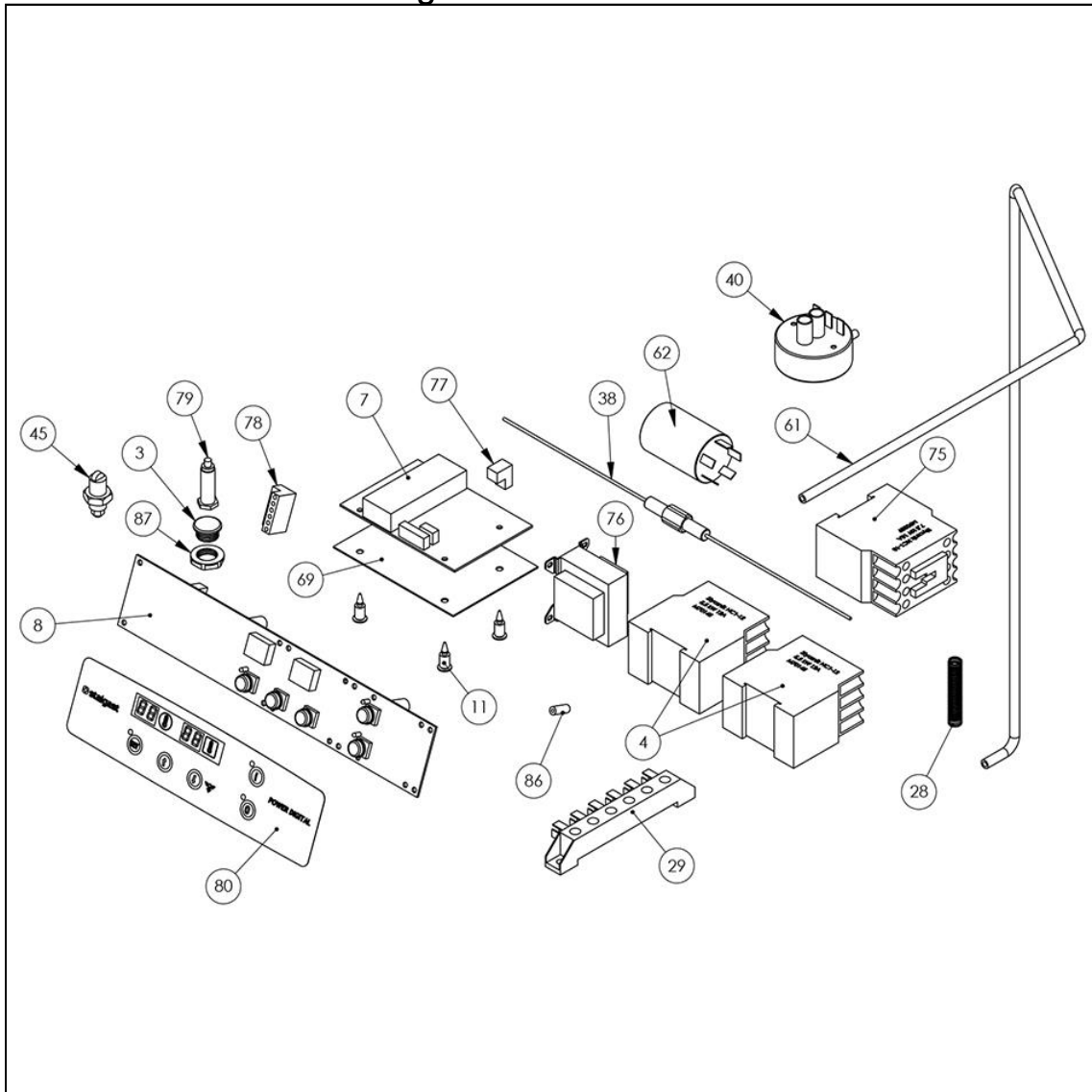
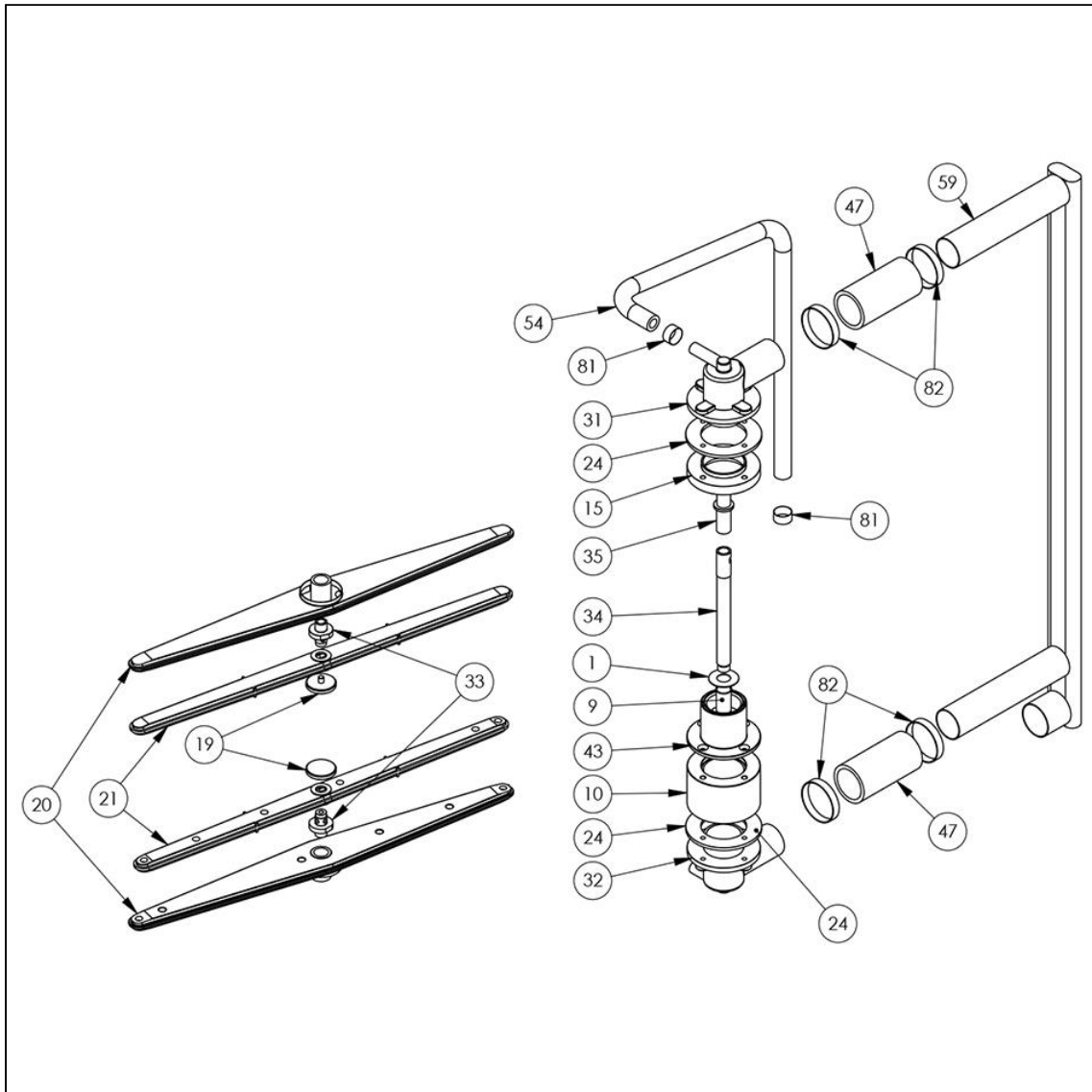
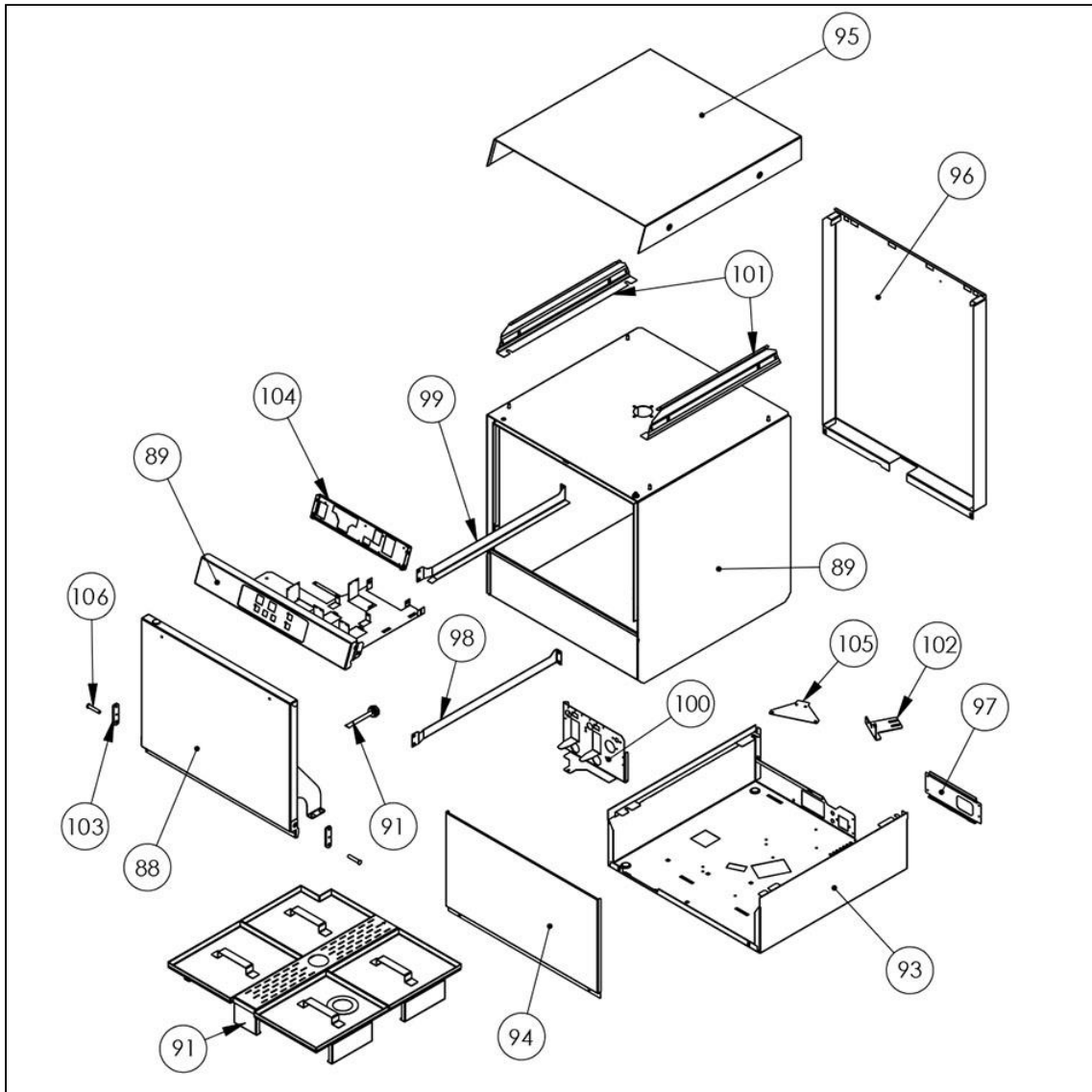


Power Digital dishwasher with washing liquid dispenser and drain pump

Catalog code: 801556







Part number (V drawing. no.- part no. from drawing)	Name
V801556-01	Washer
V801556-02	Does not apply to this product model
V801556-03	Magnet
V801556-04	Contactora (5,5kW 12A)
V801556-05	Terminal box
V801556-06	Probe PT1000
V801556-07	Executive board
V801556-08	Control panel
V801556-09	Rotor sleeve, bottom
V801556-10	Rotor distance, bottom
V801556-11	Plate bolts
V801556-12	Magnetic valve
V801556-13	Clamp (25-40)
V801556-14	Clamp (40-60)
V801556-15	Spray arm support
V801556-16	Filter of the water drain
V801556-17	Seal clamp
V801556-18	Plastic cap
V801556-19	Rotor cap
V801556-20	Spray arm (dishwashing liquid)
V801556-21	Spray arm (rinse aid)
V801556-22	Drain seal
V801556-23	Seal
V801556-24	Seal
V801556-25	Conductor
V801556-26	Connection hose of the water pump
V801556-27	Hose between the pump and the rotor
V801556-28	Spring
V801556-29	Connecting block
V801556-30	Connecting block
V801556-31	Hub of the water cannon - top
V801556-32	Hub of the water cannon - bottom
V801556-33	Joint
V801556-34	Rotor bolt - bottom
V801556-35	Rotor bolt - top
V801556-36	Feet of the dishwasher
V801556-37	Water pump (0,4 kW 230V)
V801556-38	Fuse handle
V801556-39	Housing of the water drain
V801556-40	Pressostat
V801556-41	Three-way piece for water
V801556-42	Three-way piece for water (rinsing)
V801556-43	Flange sleeve of the lower water cannon
V801556-44	Chamber heater (2000W 230V)
V801556-45	Lock
V801556-46	Pressostat housing
V801556-47	Black pipe, connection
V801556-48	Drainage plug
V801556-49	Inlet hose
V801556-50	Rubber hose blue L = 350mm
V801556-51	Rubber hose blue L = 2000mm
V801556-52	Rubber hose L = 50mm
V801556-53	Rubber hose L = 350mm
V801556-54	Rubber hose L = 630mm
V801556-55	Rubber hose L = 630mm
V801556-56	Does not apply to this product model
V801556-57	Does not apply to this product model
V801556-58	Rubber hose L = 230mm
V801556-59	Rotor tube, plastic

Part number (V drawing. no.- part no. from drawing)	Name
V801556-60	Does not apply to this product model
V801556-61	White silicone hose fi 4x7 L=1100mm
V801556-62	Filter FCP 045000
V801556-63	Peristaltic pump for detergent
V801556-64	Does not apply to this product model
V801556-65	Drain pump
V801556-66	Does not apply to this product model
V801556-67	Water drain hose
V801556-68	Boiler 6000 W
V801556-69	Insulation of electronics board
V801556-70	Detergent tube 4x7 transparent L = 2000
V801556-71	Detergent tube 4x7 transparent L = 1000
V801556-72	Rinse clearing hose
V801556-73	Connection hose
V801556-74	Door handle
V801556-75	Contactora (7,5kW 18A)
V801556-76	Transformer 230V / 10V
V801556-77	2 pin female connecting block
V801556-78	6 pin female connecting block
V801556-79	Magnetic sensor
V801556-80	Label
V801556-81	Clamp 12-20
V801556-82	Clamp 35-20
V801556-83	Cable grommet plastic fi24
V801556-84	Drain pump handle
V801556-85	Clamp 16-27
V801556-86	Round threaded bracket
V801556-87	Polyamide nut M16 - Black
V801556-88	Door
V801556-89	Dishwasher chamber
V801556-90	Control panel + panel support
V801556-91	Filter
V801556-92	Fixing of chamber probe
V801556-93	Basis
V801556-94	Lower panel
V801556-95	Cover
V801556-96	Rear housing wall
V801556-97	Lower housing part
V801556-98	Right slide rail
V801556-99	Left slide rail
V801556-100	Pump support
V801556-101	Fixing the cover and the front housing part
V801556-102	Main pump support
V801556-103	Hinge plate
V801556-104	Control plate support
V801556-105	Does not apply to this product model
V801556-106	Hinge pin