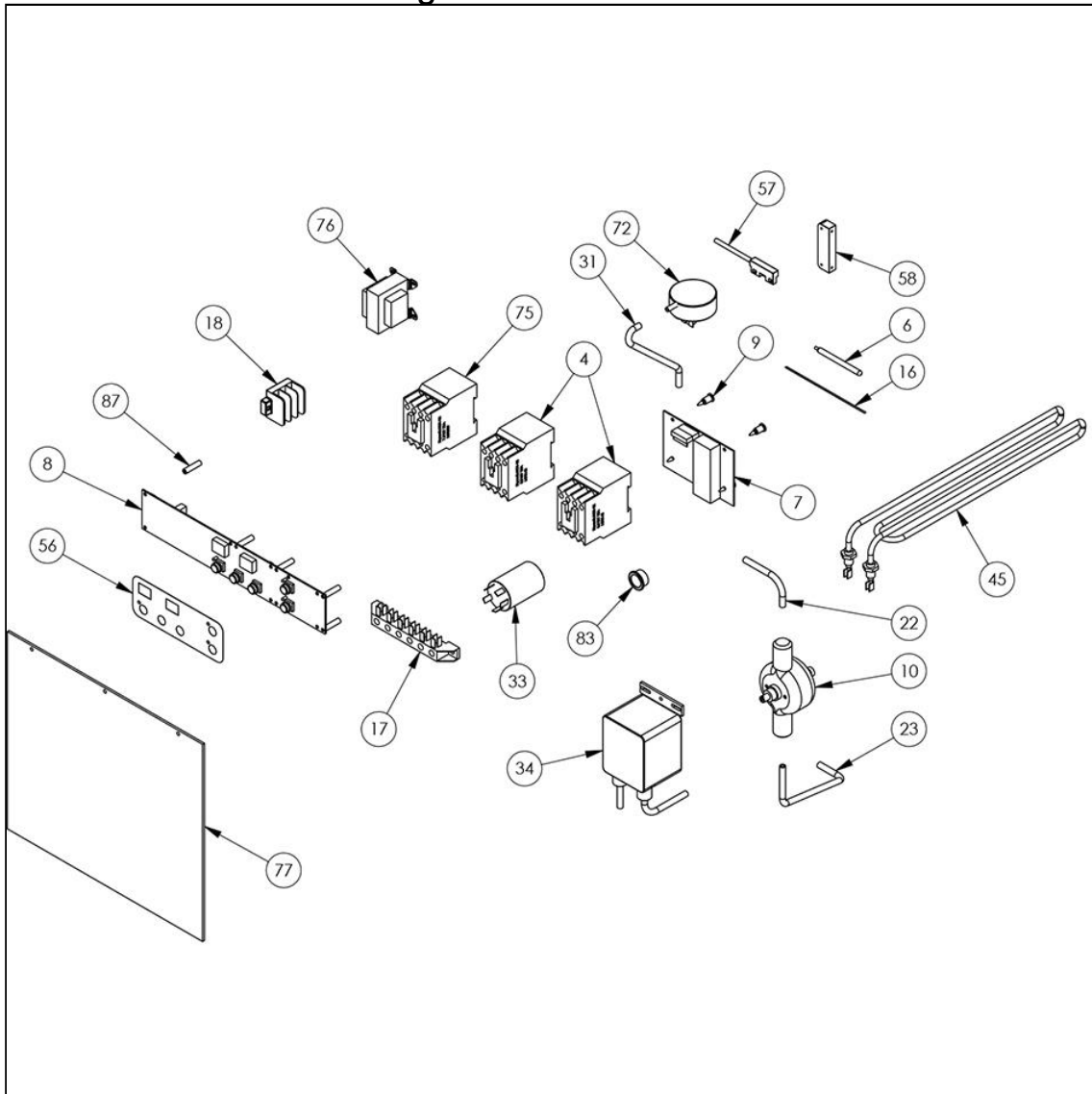
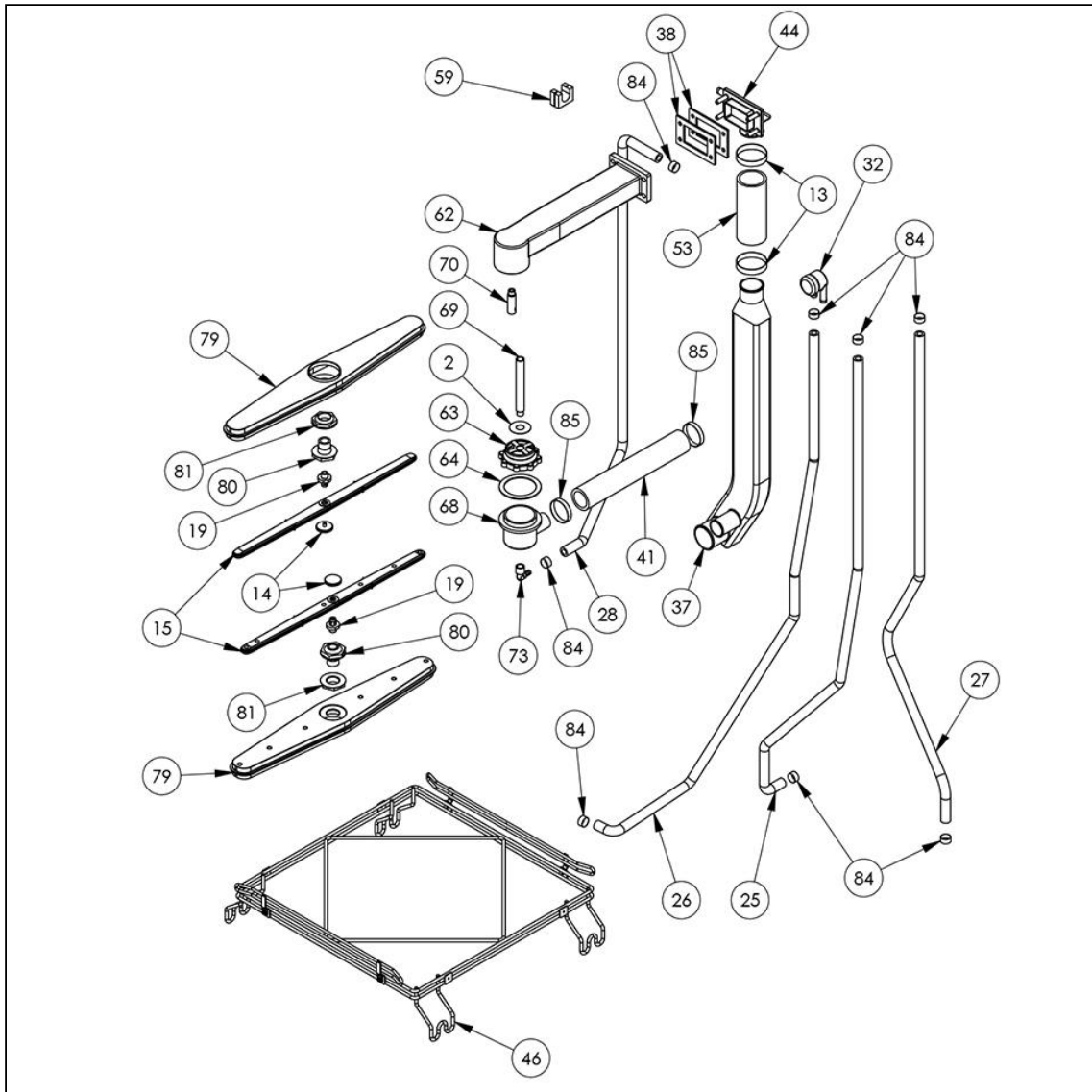
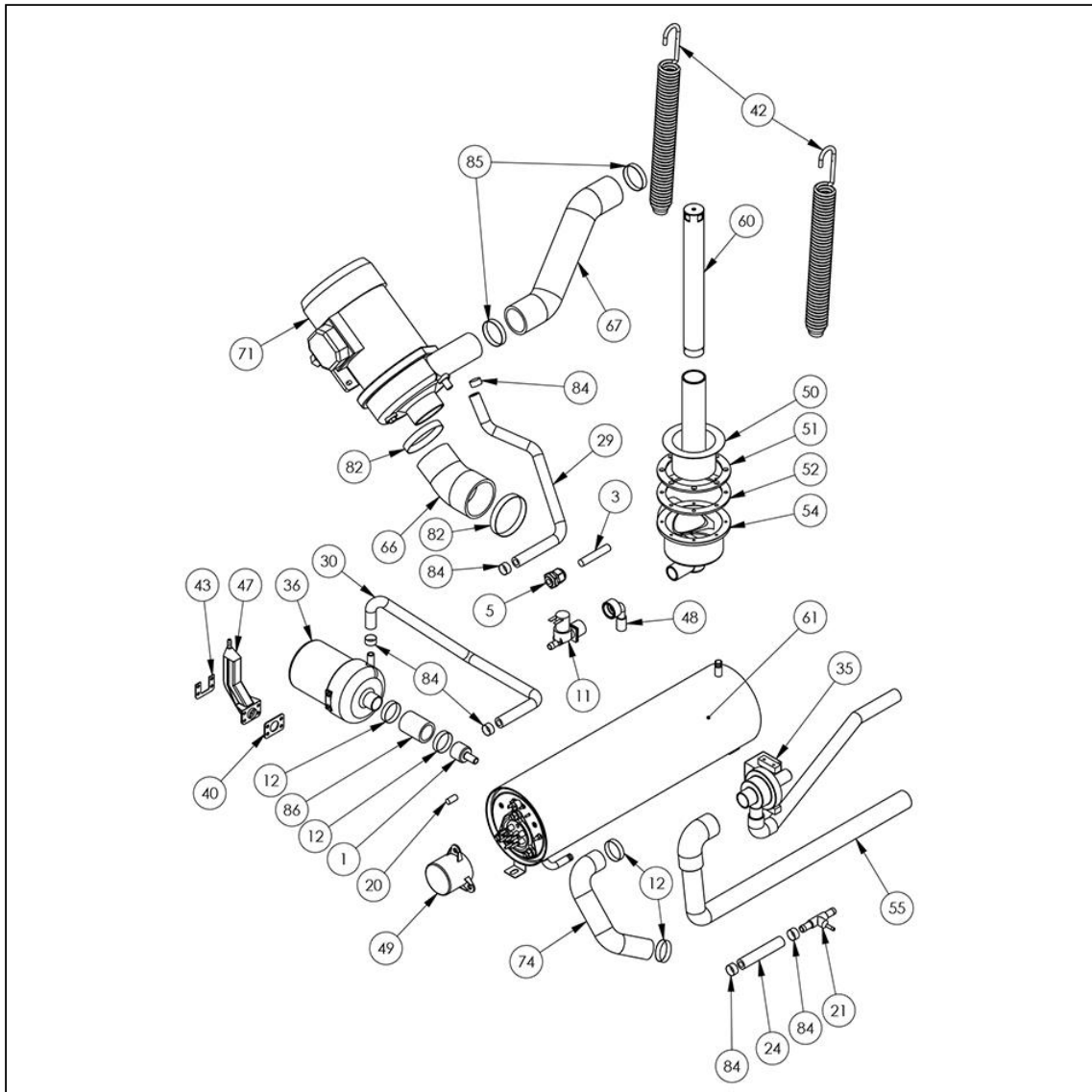


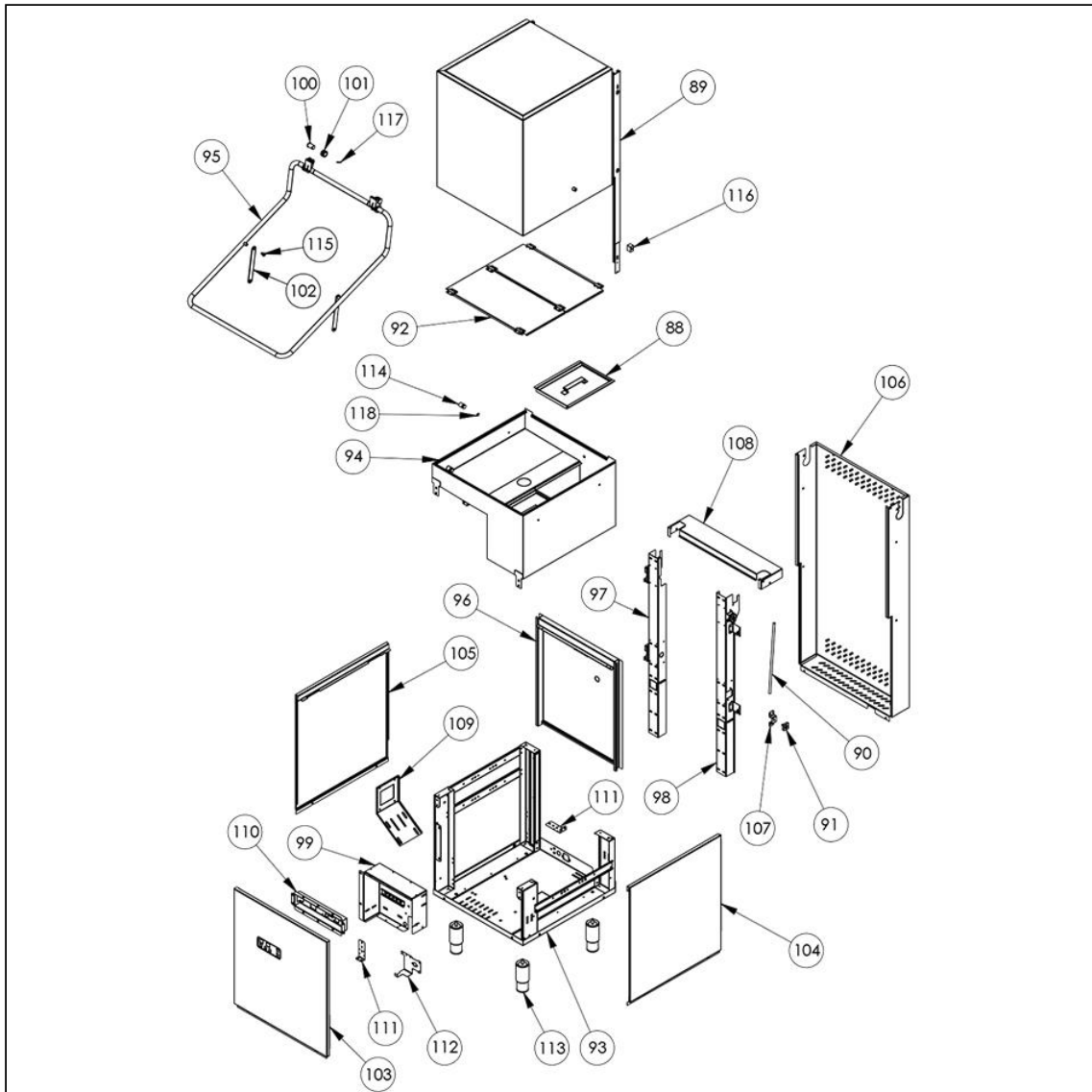
hood dishwasher 500x500, 10 kW with dosing washing pump and rinse booster pump

Catalog code: 803027









Part number (V drawing, no.- part no. from drawing)	Name
V803027-01	Connection to the pump hose
V803027-02	Washer
V803027-03	Power cord
V803027-04	Contactora (5,5 kW 12A)
V803027-05	Cable gland PG16
V803027-06	Temperature probe
V803027-07	Control board
V803027-08	Control panel
V803027-09	Plate bolts
V803027-10	Rinse aid pump
V803027-11	Magnetic valve
V803027-12	Clamp (25-40)
V803027-13	Clamp (40-60)
V803027-14	Rotor cap
V803027-15	Spray arm (rinse aid)
V803027-16	Conductor
V803027-17	Connecting block
V803027-18	Connecting block
V803027-19	Joint
V803027-20	Accessories for the rinse aid dispenser
V803027-21	Three-way piece for water
V803027-22	Rubber hose blue L = 2500mm
V803027-23	Rubber hose blue L = 300mm
V803027-24	Rubber hose fi 12 L = 100mm
V803027-25	Rubber hose fi 12 L = 1170mm
V803027-26	Rubber hose fi 12 L = 1400mm
V803027-27	Rubber hose fi 12 L = 1200mm
V803027-28	Rubber hose fi 12 L = 1210mm
V803027-29	Rubber hose fi 12 L = 450mm
V803027-30	Rubber hose fi 12 L = 600mm
V803027-31	Silicon hose fi 4 L=220
V803027-32	Water return valve
V803027-33	Filter FCP 045000
V803027-34	Peristaltic pump for rinse aid
V803027-35	Drain pump
V803027-36	Rinse aid auxiliary pump
V803027-37	Pipe
V803027-38	Washer
V803027-39	Rinsing arm seal
V803027-40	Seal
V803027-41	Rubber hose fi 35 L = 280mm
V803027-42	Spring
V803027-43	Mounting plate
V803027-44	Joint
V803027-45	Chamber heater (3000W 230V)
V803027-46	Basket slide rail
V803027-47	Pressostat siphon
V803027-48	Inlet hose L=2000m
V803027-49	Boiler geater cover
V803027-50	Filter of the water drain
V803027-51	Clamp of drain gasket
V803027-52	Drain gasket
V803027-53	Rubber hose fi 50 L = 140mm
V803027-54	Housing of the water drain
V803027-55	Does not apply to this product model
V803027-56	Control panel foil
V803027-57	Proximity sensor
V803027-58	Magnet
V803027-59	Handle support

Part number (V drawing. no.- part no. from drawing)	Name
V803027-60	Drainage plug
V803027-61	Boiler 10kW
V803027-62	Upper support
V803027-63	Nut
V803027-64	Drain sail
V803027-65	Washer
V803027-66	Pipe fi 45-55
V803027-67	Rubber hose fi 35
V803027-68	Hub of the water cannon
V803027-69	Axle of the lower spray arm
V803027-70	Rotor bolt
V803027-71	Water pump
V803027-72	Pressostat
V803027-73	Connection hose elbow
V803027-74	Drain pump connection hose
V803027-75	Contactora (NC1-18 7,5 kW 18A)
V803027-76	Transformator 230V/10V
V803027-77	Rubber cover
V803027-78	Ribbon cable with connectors IDC16 L = 1000mm
V803027-79	Spray arm (dishwashing liquid)
V803027-80	Screw
V803027-81	Nut
V803027-82	Clamp 60-80
V803027-83	Cable grommet plastic (fi16)
V803027-84	Clamp 12-20
V803027-85	Clamp 32-50
V803027-86	Rubber joint fi 30 L = 50mm
V803027-87	Threaded support
V803027-88	Perforated insert
V803027-89	Hood
V803027-90	Screw
V803027-91	Sliding block
V803027-92	Hood cover
V803027-93	Basis
V803027-94	Chamber
V803027-95	Handle
V803027-96	Rear housing wall
V803027-97	Left supporting beam
V803027-98	Right supporting beam
V803027-99	Puszka elektryczna
V803027-100	Bolt
V803027-101	Sleeve
V803027-102	Hood connector
V803027-103	Front panel
V803027-104	Right housing wall
V803027-105	Left housing wall
V803027-106	Rear cover
V803027-107	Cube support
V803027-108	Top cover
V803027-109	Pump support
V803027-110	Control panel support
V803027-111	Support
V803027-112	Support
V803027-113	Foot
V803027-114	Slide rail support
V803027-115	Fitting screw M8x15 A2
V803027-116	Bumper
V803027-117	Safety pin (2.5-25)
V803027-118	O-Ring (10x2,5)