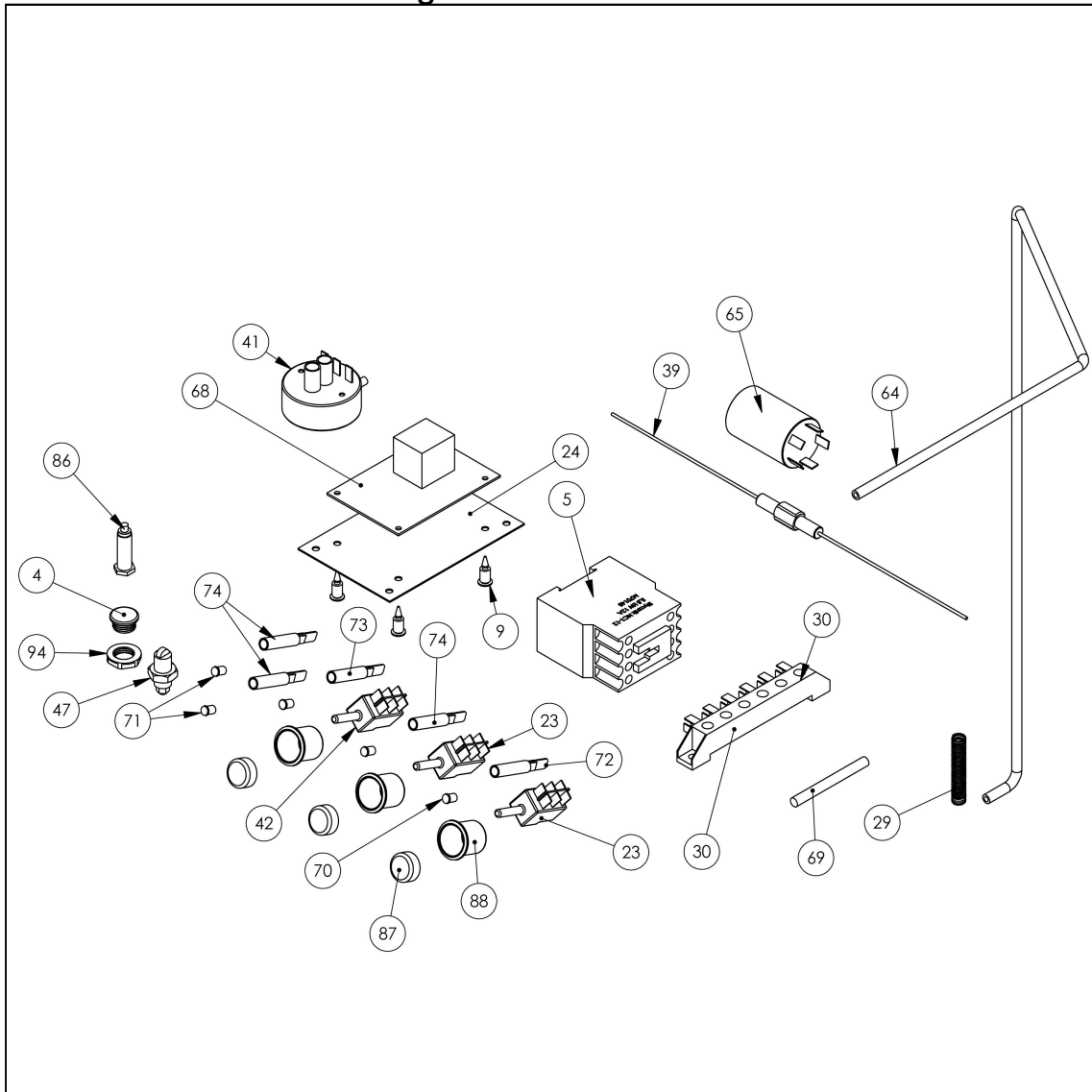
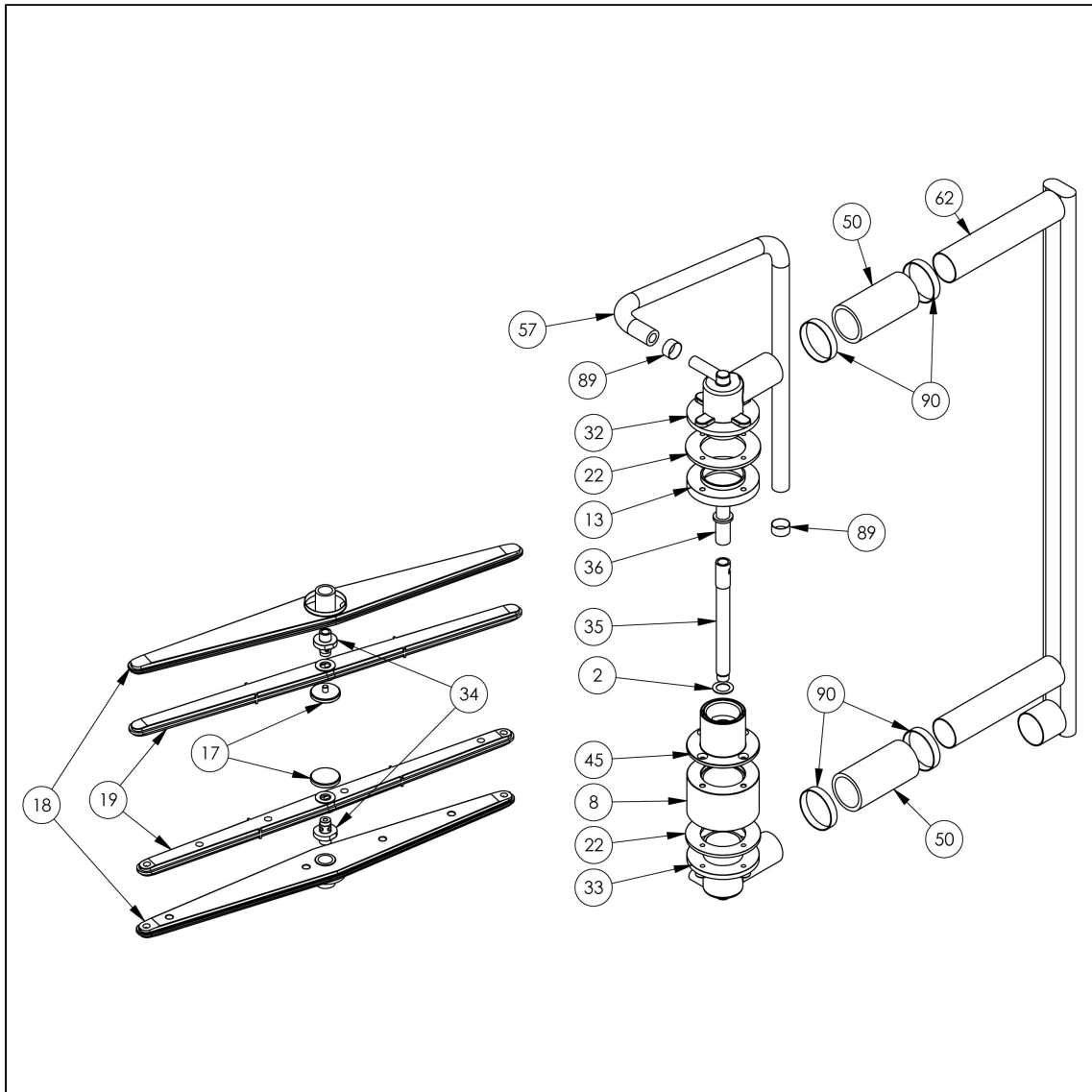
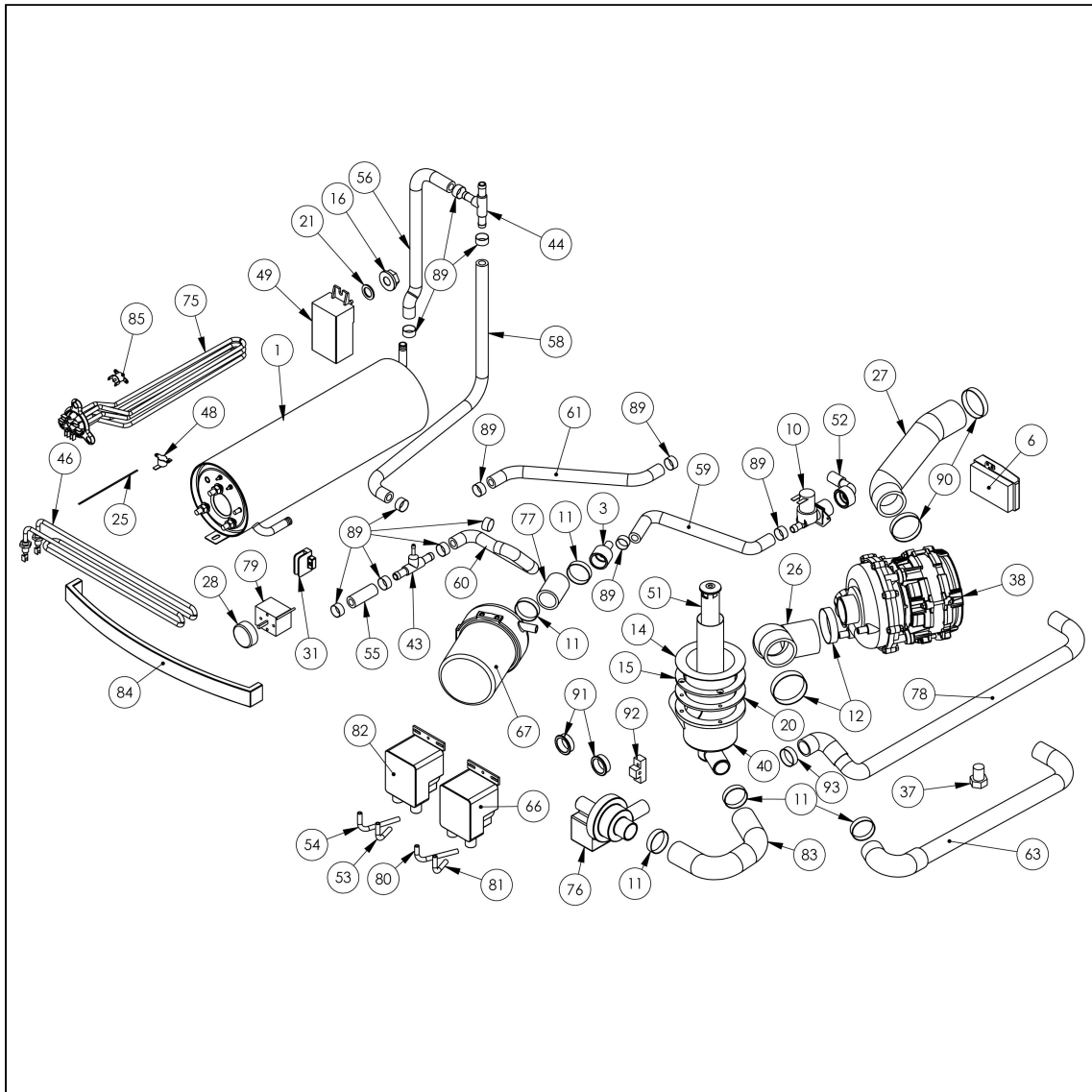


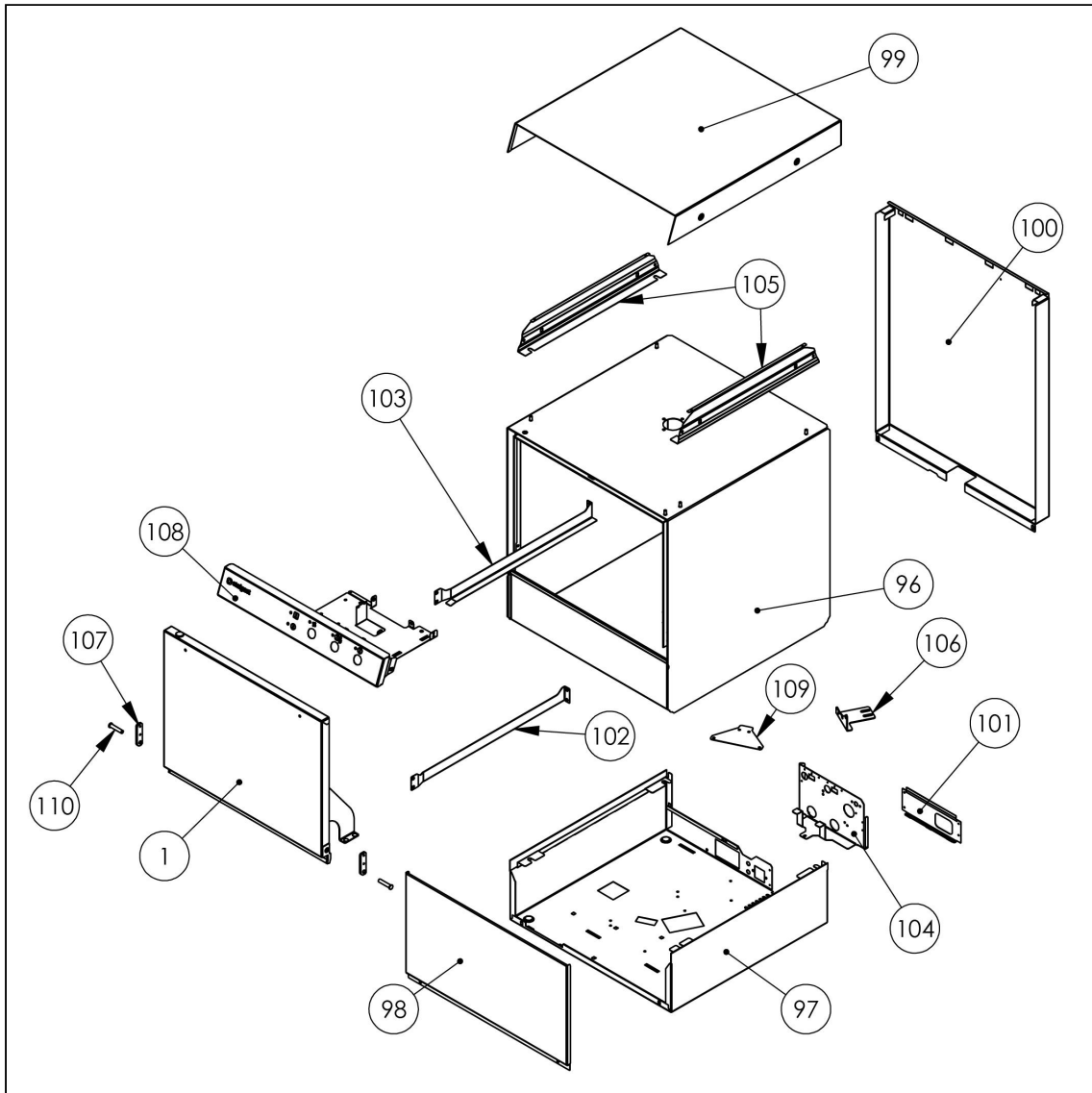
zmywarko wyparzynka, uniwersalna, dozownik pyny  
myj cego, pompa zrzutowa, P 4.9/3.4 kW, U 400/230 V

Catalog code: 801507









Part number (V drawing. no.- part no. from drawing)	Name
V801507V02-01	Boiler 4500 W
V801507V02-02	Washer
V801507V02-03	Does not apply to this product model
V801507V02-04	Magnet
V801507V02-05	Contactora (5,5kW 12A)
V801507V02-06	Terminal box
V801507V02-07	Hinge pin
V801507V02-08	Rotor distance, bottom
V801507V02-09	Plate bolts
V801507V02-10	Magnetic valve
V801507V02-11	Clamp (25-40)
V801507V02-12	Clamp (40-60)
V801507V02-13	Spray arm support
V801507V02-14	Filter of the water drain
V801507V02-15	Seal clamp
V801507V02-16	Plastic cap
V801507V02-17	Rotor cap
V801507V02-18	Spray arm (dishwashing liquid)
V801507V02-19	Spray arm (rinse aid)
V801507V02-20	Drain gasket
V801507V02-21	Gasket
V801507V02-22	Gasket
V801507V02-23	Power switch
V801507V02-24	Isolation of the electrical board
V801507V02-25	Conductor
V801507V02-26	Connection hose of the water pump
V801507V02-27	Hose between the pump and the rotor
V801507V02-28	Thermostat regulator
V801507V02-29	Spring
V801507V02-30	Connecting block
V801507V02-31	Connecting block
V801507V02-32	Hub of the water cannon - top
V801507V02-33	Hub of the water cannon - bottom
V801507V02-34	Joint
V801507V02-35	Rotor bolt - bottom
V801507V02-36	Rotor bolt - top
V801507V02-37	Feet of the dishwasher
V801507V02-38	Water pump (0,4 kW 230V)
V801507V02-39	Fuse handle
V801507V02-40	Housing of the water drain
V801507V02-41	Pressostat
V801507V02-42	Program switch
V801507V02-43	Three-way piece for water
V801507V02-44	Three-way piece for water (rinsing)
V801507V02-45	Flange sleeve of the lower water cannon
V801507V02-46	Chamber heater (2000W 230V)
V801507V02-47	Lock
V801507V02-48	Thermostat 55 °C - chamber
V801507V02-49	Pressostat housing
V801507V02-50	Black pipe, connection
V801507V02-51	Drainage plug
V801507V02-52	Inlet hose
V801507V02-53	Rubber hose blue L = 350mm
V801507V02-54	Rubber hose blue L = 2000mm
V801507V02-55	Rubber hose L = 50mm
V801507V02-56	Rubber hose L = 350mm
V801507V02-57	Rubber hose L = 630mm
V801507V02-58	Rubber hose L = 630mm
V801507V02-59	Does not apply to this product model

Part number (V drawing. no.- part no. from drawing)	Name
V801507V02-60	Does not apply to this product model
V801507V02-61	Rubber hose L = 230mm
V801507V02-62	Rotor tube, plastic
V801507V02-63	Does not apply to this product model
V801507V02-64	White silicone hose fi 4x7 L=1100mm
V801507V02-65	Filter FCP 045000
V801507V02-66	Peristaltic pump for detergent
V801507V02-67	Does not apply to this product model
V801507V02-68	Control board
V801507V02-69	Wires of the electronics board
V801507V02-70	Green indicator light
V801507V02-71	Blue indicator light
V801507V02-72	ON / OFF indicator light 230V
V801507V02-73	Program control lamp 5V
V801507V02-74	Temperature control lamp 230V
V801507V02-75	Boiler heating element 4500 W
V801507V02-76	Drain pump
V801507V02-77	Does not apply to this product model
V801507V02-78	Water drain hose
V801507V02-79	Thermostat 90 °C
V801507V02-80	Detergent tube 4x7 transparent L = 2000
V801507V02-81	Detergent tube 4x7 transparent L = 1000
V801507V02-82	Rinse clearing hose
V801507V02-83	Drain pump connecting hose
V801507V02-84	Door handle
V801507V02-85	Safety thermostat 100°C
V801507V02-86	Magnetic sensor
V801507V02-87	Switch button
V801507V02-88	Switch housing
V801507V02-89	Clamp 12-20
V801507V02-90	Clamp 35-20
V801507V02-91	Cable grommet plastic fi24
V801507V02-92	Drain pump handle
V801507V02-93	Clamp 16-27
V801507V02-94	Polyamide nut M16 - Black
V801507V02-95	Door
V801507V02-96	Dishwasher chamber
V801507V02-97	Basis
V801507V02-98	Lower panel
V801507V02-99	Cover
V801507V02-100	Rear housing wall
V801507V02-101	Lower housing part
V801507V02-102	Right slide rail
V801507V02-103	Left slide rail
V801507V02-104	Pump support
V801507V02-105	Attachment of the cover and the front housing part
V801507V02-106	Main pump support
V801507V02-107	Hinge plate
V801507V02-108	Control panel
V801507V02-109	Support